

MODERN MANŒUVERABLE SERVICEABLE HELICOPTERS

SM-1W HELICOPTERS

Three-seat passenger version
Ambulance for two patients
Training version
Agricultural version

SM-2 HELICOPTERS

Four-seat passenger version
Ambulance for three patients
Hydraulic hoist equipped
transport version

RELAX IN THE AIR—GO GLIDING!

For sport and pleasure—Polish-built sailplanes are second to none!

BOCIAN two seat high performance sailplane

MUCHA Standard high performance single-seater for standard class

FOKA single-seat, standard class, high performance sailplane

LIS all metal fuselage, wooden wing design, training and performance single-seater

ZEFIR open class high performance single-seater

SAILPLANE TOWING EQUIPMENT

TUR self-propelled sailplane launching winch

RYS self-propelled sailplane launching cable retrieving winch

STEZALA sailplane transport trailer

Flight and navigation instruments, aircraft spare parts.

For all particulars, catalogues and terms:

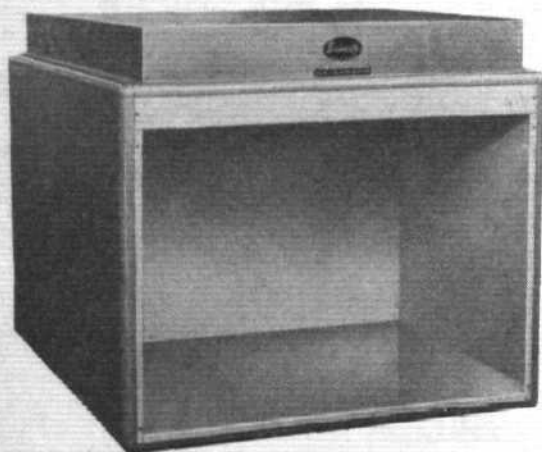


Norco Engineering Ltd.

BURRELL ROAD, HAYWARDS HEATH, SUSSEX

Telephone Haywards Heath 2740

MOT/4

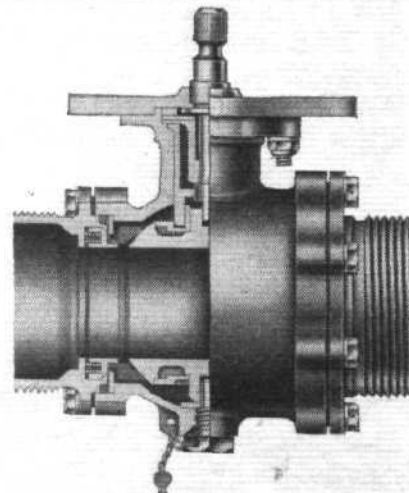


HOW CLEAN IS CLEAN

"Bassaire" clean—the simple answer to a difficult problem. In many industries the assembly of miniature components and the use of test gear calls for a degree of cleanliness which is extremely difficult to meet by normal control methods. The "Bassaire" Air Curtain cabinet (type PAC/AC) incorporates a pressurised work area, ensuring an even flow of air through the aperture—preventing pollution from entering the cabinet. The air curtain increases safety, gives an eddy-free air flow, cuts down noise and vibration and minimises operator fatigue. The exceptionally large aperture allows the use of jigs and measuring devices. The special filter system gives an efficiency of 99.94% to a 2 micron particle size. Gold Medal Winner, Brussels Inventors' Exhibition 1963. Write for full details to:

JOHN BASS LIMITED

Fleming Way, Manor Royal, Crawley, Sussex
Telephone: Crawley 28765 (10 lines)



This way
lies safety
through
reliability

A 5,000,000 operations test failed to impair the functioning of the Saunders Spherical Plug Valve. The full, straight bore, spring loaded annular seating (which tightens its seal as fluid pressure rises), and unique glandless spindle diaphragm are shown in this sectional illustration.



AERO VALVES

Technical literature explains the many features of manual and motorised versions of the Mark 4 S.P. Valve.



BLACKFRIARS STREET HEREFORD Telephone 3125